

nexus

Ethernet/DMX Converters



More than a standard DMX512 to Ethernet converter,

the NEXUS range of both 1-port and 5-port interfaces is a problem-solver for those weird and wonderful configurations required by today's demanding and complex shows.

Able to support Art-Net, ShowNet and sACN over Ethernet and then convert to DMX512-A and RDM signals, the NEXUS can also be used as a backup switch for multiple lighting controllers. A truly essential piece of kit for your next big show.

The NEXLAN software is necessary to configure the NEXUS range however, it can also be used as a system monitor or to control and test any lighting fixture and it supports RDM for discovery and configuration of any RDM devices in the lighting rig. NEXLAN is a free download and is supported on Windows and MAC OS systems.

Order Codes

NXS1	NEXUS PoE – 1-port DMX/Ethernet converter
NXST	NEXUS Trussmount – 5-port DMX/Ethernet converter, with Velcro straps
NXST/P	NEXUS Trussmount – 5-port DMX/Ethernet converter, powerCON input, with Velcro straps
NXSR	NEXUS Rackmount – 19" 1RU, 5-port DMX/Ethernet converter
NXSR/P	NEXUS Rackmount – 19" 1RU, 5-port DMX/Ethernet converter, powerCON input
NXSS	NEXLAN Windows and Mac configuration software (free download)

Features

- > NXS1 is a single-port DMX512-A/RDM to Ethernet converter supporting Art-Net, ShowNet and sACN
- > NXST and NXSR are 5-port DMX512-A/RDM to Ethernet converter supporting Art-Net, ShowNet and sACN and may act as a backup switch for multiple lighting controllers
- > Softpatch merge of three selected Art-Net, ShowNet and sACN Universes
- > HTP merge of three Art-Net, ShowNet and sACN Universes
- > Select three Universes and merge individual
- > CE (European) and RCM (Australian) approved
- > Two-year warranty
- > Designed and manufactured in Australia by LSC – an Australian-owned company with over 40 years' experience in developing world-first DMX512 products

Technical specifications

- > Input connectors (single on NXS1 and dual on NXST and NXSR models) are front panel mounted Neutrik Ethercon style connectors
- > Second Ethernet input can be configured as a hub or backup port
- > Output connectors are front panel mounted 5-pin XLR style
- > All outputs are galvanically isolated to 1500 volts and short circuit protected
- > Full RDM control of a rig via NEXLAN software or Art-Net RDM
- > NXS1 is PoE (power over Ethernet)
- > NXST and NXSR models input power supply range of 85-264V AC, 47-63Hz via 3-pin IEC connector
- > NXST and NXSR models can be factory-fitted with Neutrik powerCON power input connector option

Hardware



NXS1

Folded corrosion-resistant metal chassis with integral mounting keyhole slot

Dimensions: 85mm (w) x 75mm (d) x 45mm (h)

Weight: 300gm



NXST

Tough ABS plastic UL94-VO rated housing with rear screened polycarbonate labels and safety wire and Velcro straps attachment points

Dimensions: 321mm (w) x 123mm (d) x 55mm (h)

Weight: 650gm



NXSR

Corrosion-resistant 19" rackmount 1RU powder-coated metal chassis with rear-screened polycarbonate labels

Dimensions: 484mm (w) x 110mm (d) x 45mm (h)

Weight: 1.5kg

Open your camera and hover your phone over the QR code to view this product online.
nexus.lsccontrol.com.au



Contact us

LSC Control Systems | www.lsccontrol.com | +61 3 9702 8000 | info@lsccontrol.com

Disclaimer: LSC Control Systems Pty. Ltd. reserves the right to change any product specification without notice. The products listed in this document are trademarks of LSC Control Systems Pty. Ltd.

MDR

DMX/RDM Data Splitters



MDRX/R

Inconsistent and erratic DMX512 can cause headaches on any show and depending on complexity, take hours to fault find.

The LSC range of MDR professional DMX512/RDM splitters provides the best protection, delivering correct DMX512 earth isolation and data integrity. What else would you expect from the company who helped write the DMX512 standard?

The MDRs are available with 5-way and 10-way outputs and can be rack-mounted or truss or hand-rail mounted. The 5-way rack-mounted version has the ability to be field upgradable to a 10-way version, by the simple addition of an upgrade kit.



MDRT/R

Order Codes

MDRT/R	MDR Trussmount DMX/RDM Splitter 5-Way – 5-pin XLR input and output
MDRT/R/5	MDR Trussmount DMX/RDM Splitter 5-Way – 5-pin XLR input and 5 x 3-pin XLR output connectors
MDRR/R	MDR Rackmount DMX/RDM Splitter 5-Way – 5-pin XLR input and output
MDRR/R/5	MDR Rackmount DMX/RDM Splitter 5-Way – 19" 1RU, 5-pin XLR input and 5 x 3-pin XLR output,
MDRX/R	MDR Rackmount DMX/RDM Splitter 10-Way – 5-pin XLR input and output
MDRX/R/5	MDR Rackmount DMX/RDM Splitter 10-Way – 19" 1RU, 5-pin XLR input with 5 x 5-pin and 5 x 3-pin XLR output
MDRX/R/10	MDR Rackmount DMX/RDM Splitter 10-Way – 19" 1RU, 5-pin XLR input with 10 x 3-pin XLR output
MDRJ/R	MDR Rackmount DMX/RDM Splitter 10-Way – 19" 1RU, RJ45 Ethercon input and output

Factory-Fitted Options

/P	Factory-fitted Neutrik powerCON Power Connector Option
-----------	--

Optional Upgrade Kits

MDR/BKT	MDR Option – MDRT Hook Clamp Adaptor Bracket Kit
MDR/EXP	MDR Option – 5-Way output upgrade kit for MDRR models

Features

- > Supplied standard with DMX512/RDM capability input and outputs
- > Portable 5-way output model in tough ABS plastic UL94-VO rated housing; perfect for truss-mounting or handrail-mounting
- > 5-way rackmount version field upgradeable to 10 way
- > Supplied Velcro straps with portable unit enables quick mounting of unit to rails and truss; optional hook clamp bracket available for more rigid mounting requirements
- > 19" rackmount versions available in rugged metal casings with choice of 5 and 10-way outputs
- > In-built power supply – no nuisance external plugpaks
- > Indicator LEDs for Power, DMX and RDM activity
- > CE (European) and RCM (Australian) approved
- > Two-year warranty
- > Designed and manufactured in Australia by LSC – an Australian-owned company with over 30 years' experience in developing world-first DMX512 products

Technical specifications

- > DMX512 (1990), DMX512-A (E1-11) and RDM (E1-20) via front panel 5-pin XLR in, thru and output connectors
- > MDRJ model has RJ45 input and output connectors fitted
- > Termination switch to set end-of-line DMX termination on the input
- > RDM enable switch to enable RDM data to pass through the unit
- > Inputs galvanically isolated from outputs to 1500V
- > All outputs galvanically isolated from each other, EMI-filtered and current-limited to protect against short circuits
- > 3-pin XLR output connectors offered as an option
- > IEC 3-pin input power connector as standard with Neutrik powerCON as factory-fitted option
- > Built-in switch mode power supply (85-264V AC) with auto frequency-sensing (47-63Hz)

Hardware

MDRT – portable trussmount splitter

Dimensions: 321mm (w) x 123mm (d) x 55mm (h)

Weight: 0.65kg

MDRR, MDRX and MDRJ – 19" rackmount splitters

Dimensions: 484mm (w) x 110mm (d) x 45mm (h)

Weight: 1.5kg



MDRJ/R

Open your camera and hover your phone over the QR code to view this product online.
mdr.lsccontrol.com.au



Contact us

LSC Control Systems | www.lsccontrol.com | +61 3 9702 8000 | info@lsccontrol.com

Disclaimer: LSC Lighting Systems (Aust) Pty. Ltd. reserves the right to change any product specification without notice. The products listed in this document are trademarks of LSC Lighting Systems (Aust) Pty. Ltd.



LXR Theatre Technology Ltd

光境舞台科技有限公司

BASIL 6-WAY DMX SPLITTER

This is a 6 channel DMX booster with one DMX input and 6 DMX outputs. It can accept RDM or DMX only. Each output channel and the input channel are completely electronically isolated from

each other. All six output channels have independent output drivers to boost the DMX signal. In addition, there is terminate selector for terminating the DMX run if it is the last device.

KEY FEATURES

- one input and 6 outputs
- electrical isolated between input and output, and among all outputs
- every DMX output with independent driver, data+ & data- indicator
- each port with both 3-pin XLR and 5-pin XLR connector



POWER INPUT	AC 120V~ 60Hz / AC 230V~ 50Hz.
DATA IN & THRU	3-pin / 5-pin XLR male socket
OUTPUT	6pcs of 3-pin / 5-pin XLR female socket
FUSE	1A 250V 5x20mm
HOUSING	Sheet metal with powder painting
IP RATING	IP20
CONTROL	DMX 512(1990)
LISTING	CE certified
OPERATION TEMPERATURE	-10 degC to +50 degC
STORAGE TEMPERATURE	-20 degC to +70 degC
WEIGHT	2.2Kg
DIMENSION	19" x1U (482x145x44mm)

Networking Node-8 Port

Date: _____
Type: _____
Firm: _____
Name: _____
Project: _____

Vari-Lite Networking nodes support sACN, Art-Net, RDM, ShowNet, Vision.net and more. Compact and flexible, these networking nodes provide cost-effective network connectivity for facilities of all sizes. Each node can be dynamically configured for input or output operation or Vision.net bridging. Node status, Node ID, port identification, and configuration are available on the integral LCD display. The display features a full-range of menu options and the back light are user adjustable.

All networking nodes feature advanced DMX512 patching, permitting any range of 512 numbers to be selected for each DMX512 port. Priority patching with up to three levels of priority assignments is available

- Compact and cost-effective DMX512 gateway
- Fast 40 Hz DMX512 update rate
- Ports may be custom configured with any 512 DMX512 addresses for complete system flexibility
- Ports may be configured to support Vision.net control - bridging to Vision.net areas
- 10/100Mbps Ethernet operation
- Integral LCD display provides node and port labeling, node status and configuration information



- 1U rack mount node with eight DMX512 ports
- Compatible with Streaming ACN (E1.31), Art-Net, Shownet and Vision.net nodes and control systems

For detailed product information, please refer to the Product Guide at <https://www.vari-lite.com/global/products/dmx-networking-nodes>



VARI*LITE

Specifications

Due to continuous improvements and innovations, specifications may change without notice.

Electrical

Input Power	100-240VAC
-------------	------------

Data

DMX Out (65168)	8x 5-pin Phoenix Connector
DMX Out (65168-1)	8x 5-pin XLR
10/100Mbps Ethernet	2x EtherCON

Connections

Protocols	DMX 512
	RDM
	Streaming ACN (E1.31)
	Art-Net
	Shownet
	Vision.Net (Bidirectional)

Certification and Safety

Conformity	CE / ETL/cETL and FCC marked
------------	------------------------------

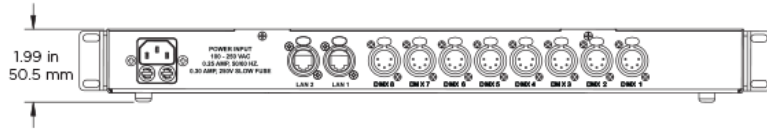
Physical

Operating temperature	0-40°C (32-104°F)
Humidity	5-95% non-condensing
Storage Temperature	-40-70°C (-40-158°F)
Dimensions	44.2 x 480.8 x 159.8 mm (1.74 x 18.93 x 6.29 in)
Construction	1U Rack Mount,
Weight	Node (including feet, rack ears, and AC input cable), 1.86 kg (4.10 lb)

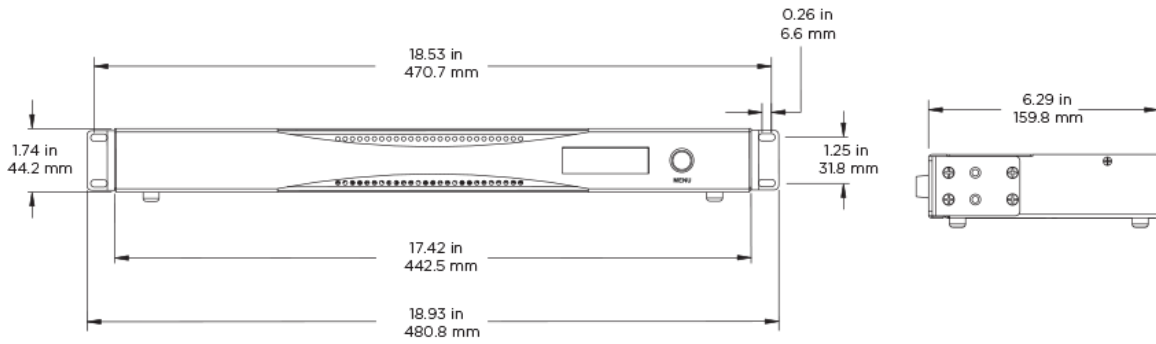
Dimensions



65168



65168-1



Product and Accessories

Product Name	Order Code
Networking Node, 8-Port (Phoenix Connectors)	65168
Networking Node, 8-Port (XLR Connectors)	65168-1

Included Items
Backbox with removable feet
Rack ears
AC Input cable
Quickstart Guide

Other Networking Nodes	Order Code
Networking Node, 1-Port, POE, 1-gang	65161
Networking Node, 3-Port, POE, 2-gang	65163
Networking Node, 3-Port, DIN Mount	65161-RW



Networking Node-3 Port

Date: _____
Type: _____
Firm: _____
Name: _____
Project: _____

Vari-Lite Networking nodes support sACN, Art-Net, RDM, ShowNet, Vision.net and more. Compact and flexible, these networking nodes provide cost-effective network connectivity for facilities of all sizes. Each node can be dynamically configured for input or output operation or Vision.net bridging. Node status, Node ID, port identification, and configuration are available on the integral LCD display. The display features a full-range of menu options and the back light are user adjustable.

All networking nodes feature advanced DMX512 patching, permitting any range of 512 numbers to be selected for each DMX512 port. Priority patching with up to three levels of priority assignments is available



- Compact and cost-effective DMX512 gateway
- Fast 40 Hz DMX512 update rate
- Ports may be custom configured with any 512 DMX512 addresses for complete system flexibility
- Ports may be configured to support Vision.net control - bridging to Vision.net areas
- 10/100Mbps Ethernet operation
- Integral LCD display provides node and port labeling, node status and configuration information
- Includes back box (for flush or surface mounting), rubber feet, and removable C-Clamp.

- Fits standard two-gang back box
- Fully compliant with IEEE802.3af power over Ethernet
- Compatible with Streaming ACN (E1.31), Art-Net, Shownet and Vision.net nodes and control systems

For detailed product information, please refer to the Product Guide at <https://www.vari-lite.com/global/products/dmx-networking-nodes>



VARI*LITE

Specifications

Due to continuous improvements and innovations, specifications may change without notice.

Electrical

Input Power	PoE (IEEE 802.3AF)
-------------	--------------------

Data

DMX Out:	3x 5-pin XLR
10/100Mbps Ethernet	2x EtherCON

Connections

Protocols	DMX 512
	RDM
	Streaming ACN (E1.31)
	Art-Net
	Shownet
	Vision.Net (Bidirectional)

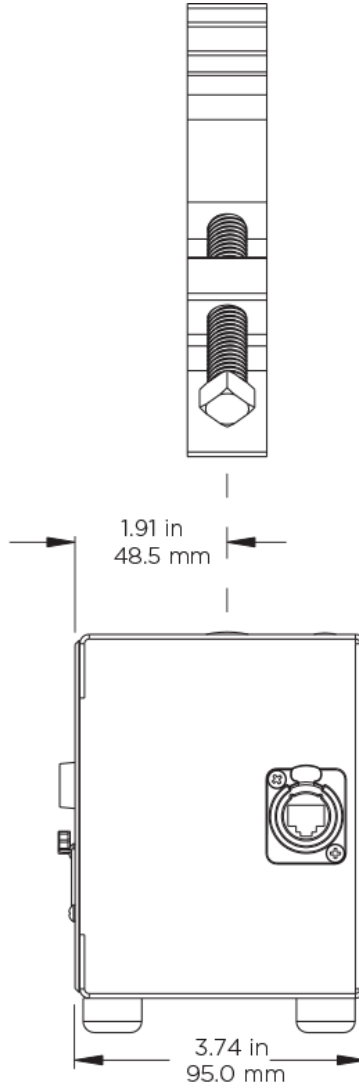
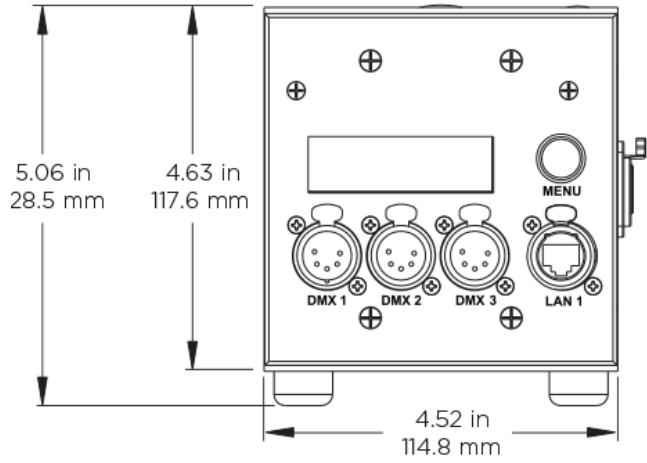
Certification and Safety

Conformity	CE / ETL/cETL and FCC marked
------------	------------------------------

Physical

Operating temperature	0-40°C (32-104°F)
Humidity	5-95% non-condensing
Storage Temperature	-40-70°C (-40-158°F)
Dimensions	117.6 x 114.8 x 95 mm (4.63 x 4.52 x 3.74 in)
Construction	Wall Mount, Steel faceplate, unit is designed to fit a standard deep masonry box
Weight	Node with Backbox, 0.86 kg (1.90 lb) C-Clamp, 0.43 kg (.95 lb)

Dimensions



Product and Accessories

Product Name	Order Code
Networking Node, 3-Port, POE, 2-gang	65163

Included Items
Backbox with removable feet
Steel Faceplate
Removeable C-Clamp
Quickstart Guide

Other Networking Nodes	Order Code
Networking Node, 1-Port, POE, 1-gang	65161
Networking Node, 3-Port, DIN Mount	65161-RW
Networking Node, 8-Port, Phoenix Connectors	65168
Networking Node, 8-Port, XLR Connectors	65168-1



Networking Node-1 Port

Date: _____
Type: _____
Firm: _____
Name: _____
Project: _____

Vari-Lite Networking nodes support sACN, Art-Net, RDM, ShowNet, Vision.net and more. Compact and flexible, these networking nodes provide cost-effective network connectivity for facilities of all sizes. Each node can be dynamically configured for input or output operation or Vision.net bridging.

All networking nodes feature advanced DMX512 patching, permitting any range of 512 numbers to be selected for each DMX512 port. Priority patching with up to three levels of priority assignments is available.



- Compact and cost-effective DMX512 gateway
- Fast 40 Hz DMX512 update rate
- Ports may be custom configured with any 512 DMX512 addresses for complete system flexibility
- Ports may be configured to support Vision.net control - bridging to Vision.net areas
- 10/100Mbps Ethernet operation
- Includes back box (for flush or surface mounting), rubber feet, and removable C-Clamp.

- Fits into standard single-gang box
- Fully compliant with IEEE802.3af power over Ethernet
- Compatible with Streaming ACN (E1.31), Art-Net, Shownet and Vision.net nodes and control systems

For detailed product information, please refer to the Product Guide at <https://www.vari-lite.com/global/products/dmx-networking-nodes>



VARI*LITE

Specifications

Due to continuous improvements and innovations, specifications may change without notice.

Electrical

Input Power	PoE (IEEE 802.3AF)
-------------	--------------------

Data

DMX Out	1x 5-pin XLR
10/100Mbps Ethernet	1x EtherCON

Connectivity

Protocols	DMX512
	RDM
	Streaming ACN (E1.31)
	Art-Net
	Shownet
	Vision.Net (Bidirectional)

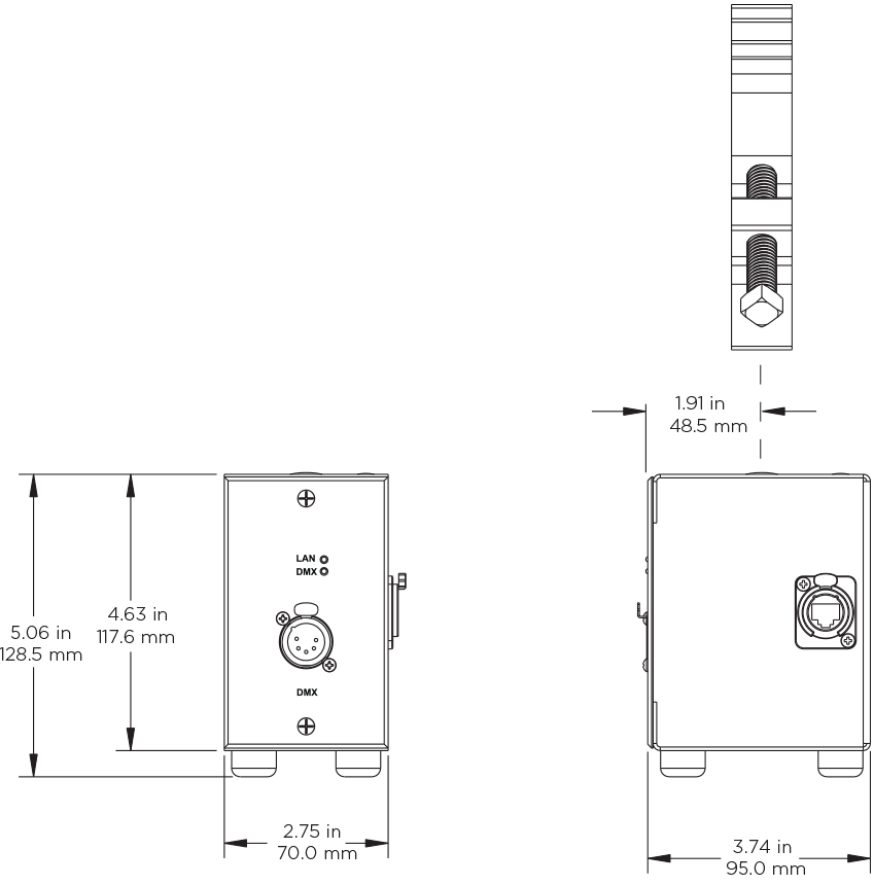
Certification and Safety

Conformity	CE / ETL/cETL and FCC marked
------------	------------------------------

Physical

Operating temperature	0-40°C (32-104°F)
Humidity	5-95% non-condensing
Storage Temperature	-40-70°C (-40-158°F)
Dimensions	117.6 x 70 x 95 mm (4.63 x 2.75 x 3.74 in)
Construction	Wall Mount, Steel faceplate, unit is designed to fit a standard deep masonry box
Weight	Node with Backbox, 0.7 kg (1.55 lb) C-Clamp, 0.43 kg (.95 lb)

Dimensions



Product and Accessories

Product Name	Order Code
Networking Node, 1-Port, POE, 1-gang	65161

Included Items
Backbox with removable feet
Steel Faceplate
Removeable C-Clamp
Quickstart Guide

Other Networking Nodes	Order Code
Networking Node, 3-Port, POE, 2-gang	65163
Networking Node, 3-Port, DIN Mount	65161-RW
Networking Node, 8-Port, Phoenix Connectors	65168
Networking Node, 8-Port, XLR Connectors	65168-1

